

journey solite[®] c2

PRODUCT MANUAL



Scan Here
With Your Phone To
Get Started!



SO LITE C2

 **journey**
HEALTH & LIFESTYLE[®]



OPEN YOUR
CAMERA

AIM IT AT THE
QR CODE

TAP THE
BANNER

www.shopjourney.com

1.	Introduction	4
	Getting Started	5
2.	Dos and Don'ts	5-7
	2.1 Symbol Explanations & Product Safety Instructions	5
	2.2 Intended Use	7
3.	Product Description	8-9
	3.1 Product Use	8
	3.2 Product Components	8
	3.3 Technical Specifications	9
4.	Installation and Adjustment	10-14
	4.1 Unfolding and Folding the Wheelchair	10
	4.2 Unfolding and Folding the Backrest	11
	4.3 Assembling and Removing the Footrests	12
	4.4 Assembling and Removing the Rear Wheels	13
	4.5 Attaching and Removing the Seat and Backrest Cushion	13
	4.6 Moving and Transporting the Wheelchair	14
	4.7 Lifting Back the Armrest	14
5.	Using the So Lite C2 Wheelchair	15-19
	5.1 First Time Using Your Wheelchair	15
	5.2 How to Self-Propel Your Wheelchair	16

5.3 Caretaker Instructions	17
5.4 Moving Into and Out of the Wheelchair	18
5.5 Braking	19
6. Maintenance	20-21
6.1 Cleaning Your Wheelchair	20
6.2 Disinfecting Your Wheelchair	20
6.3 Inspection, Service, and Maintenance	21
6.4 Reusing	21
6.5 End of Use & Recycling	21
7. Warranty Information	22-23
7.1 Repair and Replacement	22
7.2 Maintenance Records	23
8. Transportation and Storage	24

Thank you for choosing the Journey So Lite C2! Your new wheelchair is crafted from a special magnesium–aluminum alloy, an advanced material used in aviation. This makes your wheelchair both strong and lightweight, designed to provide comfort and ease in everyday use.

Your safety is our top priority. Before using your wheelchair, please take a moment to read this instruction manual carefully. It is an important guide to help you use your wheelchair safely and effectively.

Please note: This manual is designed to be a helpful companion to your specific wheelchair. From time to time, our designs may change. If you notice that some pictures or instructions differ slightly from your model, rest assured that these updates are part of our commitment to continuous improvement.

We truly hope your new wheelchair brings greater comfort and convenience to your life. Your feedback is very important to us, whether it relates to the quality of our product or our service. Please feel free to share your thoughts by email, phone, or by visiting our website at www.shopjourney.com.

For future reference, we recommend keeping this manual and your product information in a safe place.

Sincerely,
Journey Health & Lifestyle

Getting Started

Please check your wheelchair's frame and accessories when it arrives. If your purchase from us is damaged in transit or in a defective state, please call Customer Service at **800-958-8324**. We will arrange for the item to be repaired or replaced promptly. There is a 21-day deadline for all returns.

Your package should contain the following:

- Wheelchair
- Seat cushion
- Back cushion
- Footrest - 1 pair
- Anti-tip Wheel - 1 pair (only HM305-A1)
- Instruction Manual
- Product Qualified Card
- Warranty Card

2.1 Symbol Explanations & Product Safety Instructions

	Warning	Indicates that personal injury may result from misuse
	Caution	Indicates that personal injury or damage to scooter may result from misuse
	Mandatory	Indicates instructions must be followed
	Prohibited	Indicates something specific is not allowed
	Load Capacity	The max load capacity
	Reading The Instruction Manual	Indicates to read the instruction manual carefully
	Warning Hands Pinching	Mind your fingers

Warning!

Prohibit: The user is strictly prohibited from sitting in the wheelchair when wheelchair is in any moving vehicle.

Prohibit: It is strictly forbidden to brake at once during the wheelchair is running. If there is no caregiver, please hold the push rim and brake gradually.

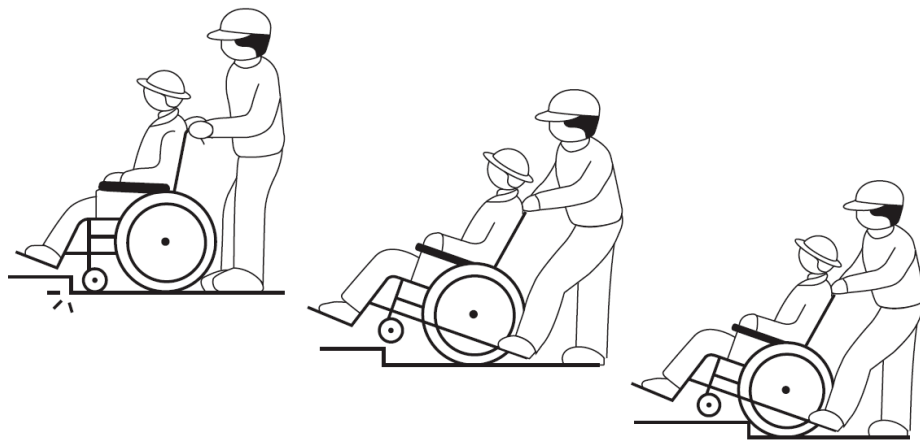
- ⊘ **Prohibit:** It is strictly forbidden to stand on the foot plate, otherwise the wheelchair will tip over.
- ⊘ **Prohibit:** It is strictly forbidden for the user to modify the wheelchair without the consent of the technician. Unauthorized modifications can lead to accidents.
- ⊘ **Prohibit:** Please do not stick your body out during driving, otherwise it will affect the stability of driving. (Especially on steps and bumps).
- ⓘ **Mandatory:** Be careful when driving and stopping on sloped roads.
- ⓘ **Mandatory:** Users should be especially careful of cars and pedestrians at night and raining days.
- ⓘ **Mandatory:** Do not use the wheelchair on muddy or slippery roads, soft lawns, areas with ice and snow. Use a wheelchair with caution under the influence of alcohol or medication.
- ⚠ **Caution!**
- ⓘ **Mandatory:** Practice with caregiver before using wheelchair.
- ⓘ **Mandatory:** Please do not lean back in a wheelchair without anti-tipping.
- ⓘ **Mandatory:** Please do not tilt the wheelchair sideways and do not lift the wheelchair during the wheelchair is running.
- ⓘ **Mandatory:** Please park the wheelchair on a flat place.
- ⓘ **Mandatory:** Do not place tires near heating appliances.
- ⓘ **Mandatory:** Please do not hold the tube which on seat both sides when you press down to prevent your hand form being pinch, when unfolding the wheelchair.
- ⓘ **Mandatory:** The plates should be adjusted to a height of 2 inches above the ground.
- ⓘ **Mandatory:** The wheelchair must be properly installed with the anti-tipping before use. The ground height of anti-tipping should remain 1 inch. Please keep your feet on plates during running.
- ⓘ **Mandatory:** When going up the steps, the caregiver should step on the anti-tipping of the wheelchair, hold the handle with both hands to press down, then push the wheelchair forward to go up the steps.

Obstacles and Escalators

So Lite wheelchairs are not designed to travel up or down stairs or escalators. Always use an elevator.

⚠ **WARNING!** Never use your So Lite wheelchair to negotiate stairs or escalators.

For your safety, please read and follow all instructions carefully. Contact us if you have any questions.



2.2 Intended Use

The So Lite C2 Wheelchair is thoughtfully designed for individuals with disabilities or mobility challenges. For your safety, the chair is intended for use by one person at a time, and the recommended weight limit is 240 lbs.

For the best results and to ensure everyone's safety, this wheelchair should only be used by individuals who are able to operate it independently. It is not suitable for use by children, minors, or anyone incapable of using the wheelchair on their own.

If you have any questions about whether this wheelchair is right for you or your loved one, please feel free to reach out to our customer support team. We're always here to help.

3.1 Product Use

1. The So Lite C2 Wheelchair can be operated independently by the user or with help from a caretaker. This is a standard wheelchair, designed for comfortable everyday mobility. It does not include features for reclining, exercise, or bathing.
2. Ideal for use at home, in hospitals, and in nursing facilities. For your safety, use the wheelchair on dry, flat surfaces and avoid steep, wet, or icy areas.

3.2 Product Components

The wheelchair is composed of frame, armrest, seat, wheel, footrest.
Parts (fig 3-1)



- | | | | |
|----------------|----------------|------------------|----------------|
| 1. Backrest | 4. Fold Switch | 7. Rubber Sleeve | 10. Foot Plate |
| 2. Hand Grip | 5. Arm Pad | 8. Brake | 11. Footrest |
| 3. Brake Lever | 6. Rear Wheel | 9. Front Wheel | 12. Seat |

3.3 Technical Specifications

Model	08970 BLK/CFR
Overall Dimension (LxWxH)	42in x 27in x 36.5in
Folded Width	13 inches
Folded Height	29.5 inches
Seat Width	17.7 inches
Seat Depth	17 inches
Seat Surface Height at Front Edge	18.9 inches
Armrest Height	7.8 inches
Distance Between Armrests	19.6 inches
Backrest Height	16 inches
Foot Plate Height Above Ground	4.3
Total Wheelchair Weight	26.5 lbs
Loading Capacity	240 lbs
Front Wheel Dimension	6 inches
Rear Wheel Dimension	20 inches
Minimum Turning Radius	≤33

4.1 Unfolding And Folding The Wheelchair

Unfolding the wheelchair

1. Unlock the brake.
2. Stand in front of or behind the wheelchair.
3. Place one hand on each armrest.
4. Gently pull both armrests away from each other to start opening the chair. (Fig 4-1)
 - a. Tip: Pull steadily; do not yank hard, as this can damage the chair.
5. With your palms, press down on both sides of the seat cushion until it is flat. (Fig 4-2)
 - a. **Caution:** Do not put your fingers under the seat cushion or near the seat tube to avoid pinching.
6. Lower the foot plate to its open (downward) position.

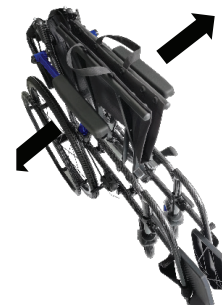


Fig 4-1



Fig 4-2

Folding the Wheelchair

1. Fold up the foot plate so it is out of the way.
2. Grab both sides of the seat (the seat sling) with your hands.
3. Lift the seat upwards from the center.
4. Push both sides of the wheelchair together to make it flat for storage or transport. (Fig 4-3)



Fig 4-3

4.2 Unfolding and Folding the Backrest

Folding the Wheelchair

1. Hold the handle at the back of the wheelchair.
2. Lift up on the handle until you hear a click and see the locking pin pop out.
(Fig 4-4, Fig 4-5)
 - a. **Caution:** Be careful not to pinch your hands while lifting.



Fig 4-4



Please make sure this spring pin pops out

Fig 4-5

Folding the Backrest

1. With one hand, hold the handle at the top of the backrest.
2. Use your other hand to press down the folding switch (marked A) to release the pin. (Fig 4-6)
 - a. **Caution:** Be careful not to pinch your hands while releasing the pin.



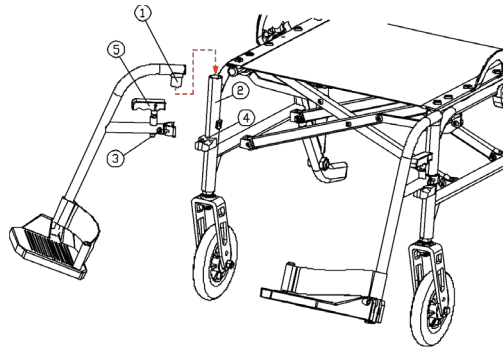
Fig 4-6

4.3 Assembling and Removing the Footrests

Folding the Backrest

1. Insert the footrest shaft into the side tube of the wheelchair.
2. Rotate the footrest inward until you hear a "click." This means the pull pin has locked into place.

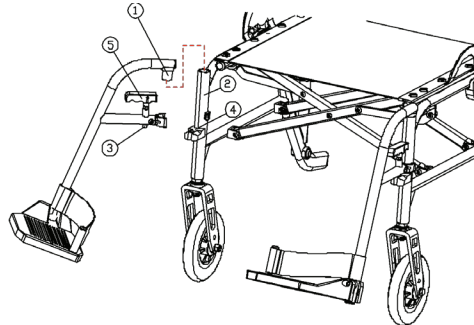
1. Footrest Shaft
2. Tube
3. Pin
4. Hole
5. Pull Pin



Removing the Footrests

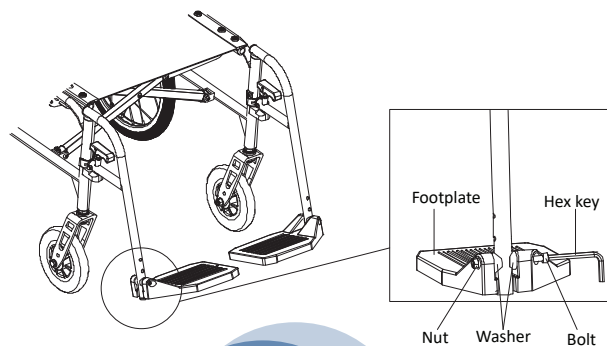
1. Pull the pull pin so the pin comes all the way out of its hole.
2. Rotate the footrest outward and then lift it straight up to remove it from the wheelchair.

1. Footrest Shaft
2. Tube
3. Pin
4. Hole
5. Pull Pin



Adjusting the Foot Plate

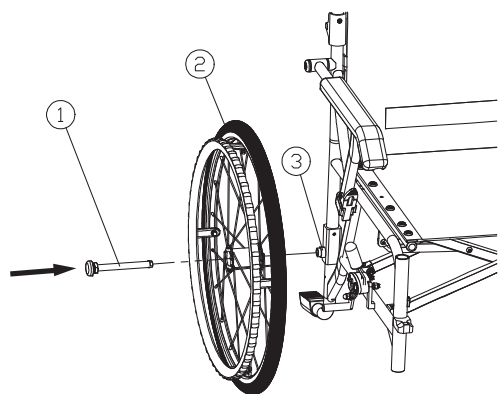
1. Check that the foot plate is at least 2 inches above the ground.
2. Adjust both foot plates to the same height for comfort and safety.
3. You can use the included tools to make the adjustment in three simple steps.



4.4 Assembling and Removing the Rear Wheels

Attaching the Rear Wheels

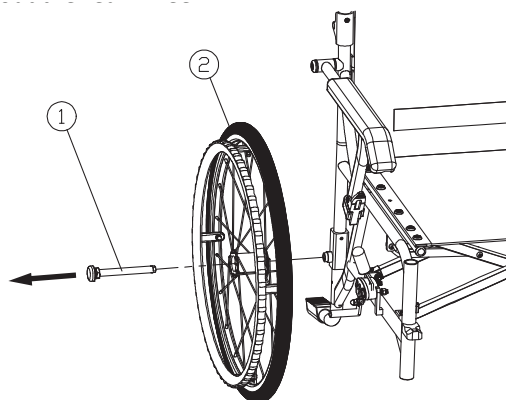
1. Press down the quick release button in the center of the wheel.
2. Insert the wheel's quick release rod into the matching frame tube on the wheelchair.
3. Push until you hear or feel the pin pop out, locking the wheel in place.



1. Quick Release Button
2. Rear Wheel
3. Frame Tube

Removing the Rear Wheels

1. Press the quick release button again.
2. Pull the rear wheel straight out from the frame to remove it.



1. Quick Release Button
2. Rear Wheel

4.5 Attaching and Removing the Seat and Backrest Cushion

1. Peel off the Velcro stickers on the seat and backrest cushions.
2. Place the cushions with the sticky side facing down onto the correct spot on the wheelchair.
3. Press firmly so the Velcro fastens securely.

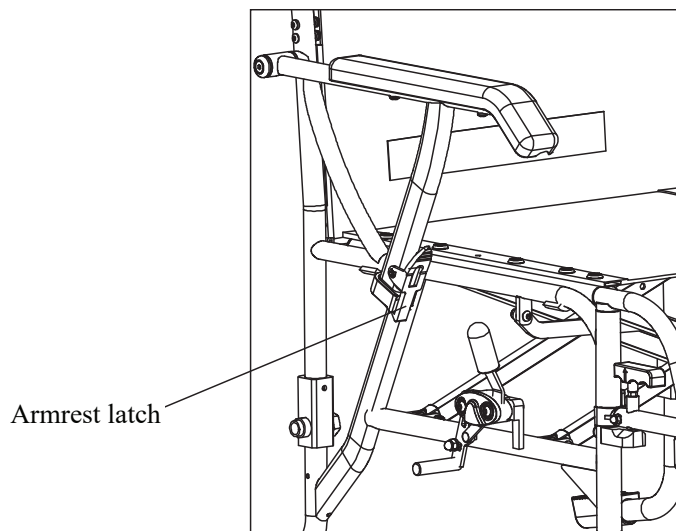


4.6 Moving and Transporting the Wheelchair

1. To move the wheelchair, push it using the handles and let the wheels roll.
2. If you need to lift the wheelchair, fold it first, then lift it by holding the seat tube (the metal bar under the seat).
3. For car transport:
 - a. Fold the wheelchair.
 - b. Remove the rear wheels and footrests.
 - c. Place the wheelchair and parts in the trunk.

4.7 Lifting Back the Armrest

1. Press the armrest latch to release one armrest.
2. Lift that armrest back to the desired position.
3. Repeat these steps for the other armrest if needed.



Tip: Always read and follow safety tips for each step to avoid injury or damage. Whenever possible, carry out these operations with assistance, especially if you are new to handling wheelchairs.

5.1 First Time Using Your Wheelchair

For Operating the Wheelchair by User

Before using your wheelchair, please read this instruction manual carefully. Make sure the wheelchair is assembled properly, including attaching the footrest, rear wheels, and setting the anti-tip wheels at the correct height. Also, ensure the backrest and seat cushions are in place.

Next, check that the brake and fold switch are securely locked. When you are ready, sit in the wheelchair and adjust your body position and balance as needed. Always fasten the seat belt for your safety.

It's a good idea to practice using your wheelchair in a spacious, flat area, and have someone accompany you for support as you get comfortable. Use both hands on the hand rims to move forward by pushing forward and downward. To go backward, push the hand rims upward and back.

To turn, push the right hand rim to go left, or the left hand rim to go right. Practice using the brakes and practice getting in and out of the wheelchair so you feel confident and safe.

For Operating the Wheelchair by Caretakers

Start by carefully reading this instruction manual and assembling the wheelchair. Adjust the footrest, rear wheels, and anti-tip wheels so everything fits well and is secure. Make sure the backrest and seat cushions are correctly attached, and that the brakes and fold switch are locked.

Help the user sit in the wheelchair and adjust for proper posture and balance. Always fasten the seat belt before moving.

Practice pushing the wheelchair forward and backward, as well as using the brakes and parking. Taking these steps together will help ensure a safe and comfortable experience for everyone.

5.2 How to Self-Propel Your Wheelchair

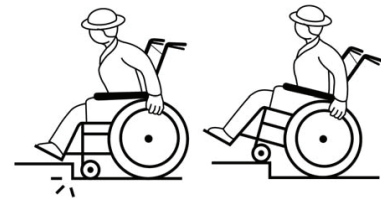
Moving Forward

To travel on sidewalks or smooth surfaces, grip and roll the handrims to move and steer your wheelchair.



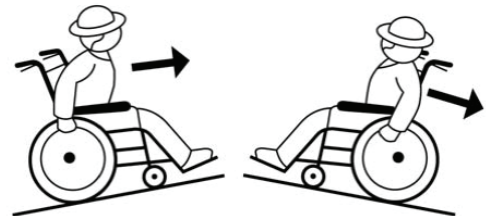
Climbing Small Steps

Approach the step so your front wheels are at a 90-degree angle to it. Lean forward and firmly push the hand rims to go up. Only attempt steps up to 1.5 inches high. Avoid higher steps for your safety.



Slopes and Ramps

Lean forward to help maintain balance when going uphill. When going downhill, continue to lean forward and gently slow your speed by sliding the handrims in reverse. Do not try to climb or descend very steep or long slopes by yourself.



Crossing Grooves

If you encounter a groove, cross it at a right angle. Do not attempt to cross if the groove is too wide or deep.

Always prioritize your safety and ask for assistance if you feel unsure.



5.3 Caretaker Instructions

Moving on Sidewalks

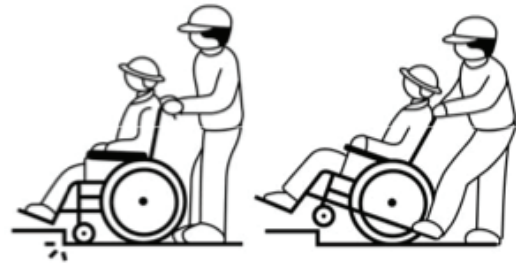
Stand behind the wheelchair and use both handles to gently push the chair forward.



Going Up Steps

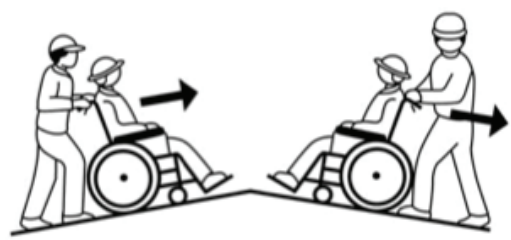
Step down on the anti-tip bar with your foot while firmly holding both handles. Press down on the handles to tilt the front wheels up, then push the wheelchair forward and up the step.

Tip: If anti-tipping wheels are installed, adjust their height before attempting steps.



Navigating Slopes

- **Uphill:** Lean forward as you push the wheelchair up the slope, keeping steady control.
- **Downhill:** Maintain a normal, upright posture and move slowly, always keeping the wheelchair under control.



Crossing Grooves

Approach and cross grooves in the road at a right angle to ensure stability and safety.

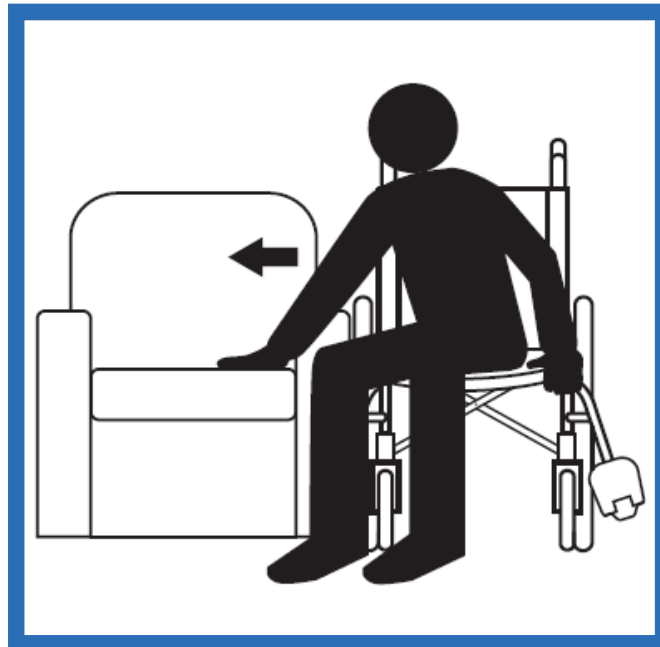
5.4 Moving Into and Out of the Wheelchair

Position the wheelchair as close as possible to the place you want to transfer, such as a sofa or bed. Before attempting to move, always check that both brakes are locked securely to prevent any movement.

Flip up the foot plates to make space for your feet; never stand on the foot plates.

To get in or out, move from the side of the wheelchair. If you have strong upper body strength, you may be able to transfer independently. However, if you feel unsteady or need extra help, please ask someone to assist you.

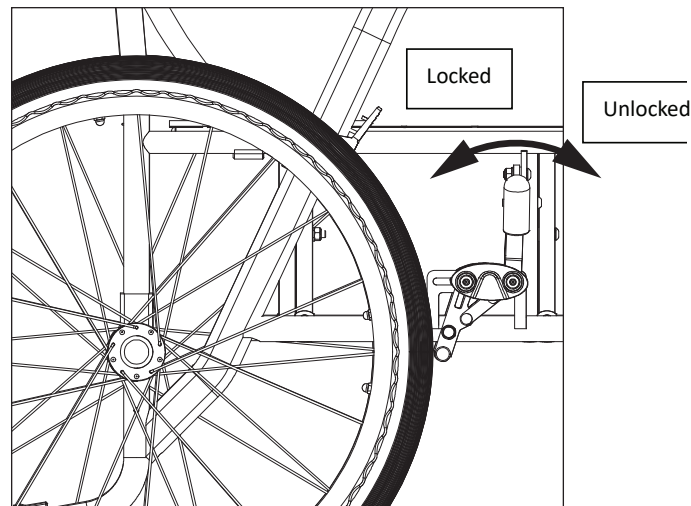
Important: Always keep the brakes locked while getting in and out of the wheelchair. This helps prevent falls and keeps the wheelchair stable.



5.5 Braking

User Braking Instructions

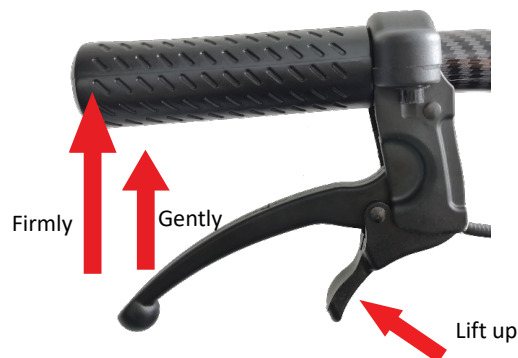
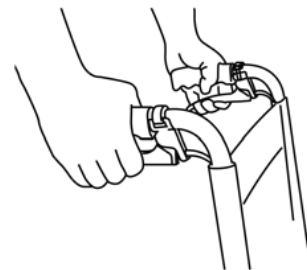
- While seated, grip the brake handles on both sides of the wheelchair.
- To brake: Pull the handles back gently.
- To release: Push the handles forward.



Caretaker Braking Instructions

- To slow down: Gently squeeze both brake handles.
- To release and move: Let go of both brake handles.
- To park: Firmly squeeze both brake handles until the wheelchair stop. The brakes will lock, and you can safely release your hands.
- To unlock: Lift the handles to release the parking brake.

For your safety, always ensure the wheelchair is fully stopped before entering or exiting.



6.1 Cleaning Your Wheelchair

Keep your wheelchair fresh and comfortable by cleaning it regularly:

Seat and Backrest Cushions:

- Wash the cushions with water and a mild detergent about once a week. Let them dry completely before putting them back on the wheelchair.

Painted and Metal Parts:

- Wipe down all painted or metal surfaces with a soft, damp cloth or disinfecting wipe once a week. Make sure not to let water collect in any joints or moving parts.

6.2 Disinfecting Your Wheelchair

To keep your wheelchair hygienic:

- Use a soft cloth or sanitizing wipe dampened with 75% medical alcohol to clean armrests and handles. Wipe them dry immediately after cleaning. Doing this once a week is usually enough.

Important Reminders:

- Never use high-pressure cleaners or splash water directly onto the wheelchair.
- Avoid strong chemical solvents such as undiluted alcohol, ether, strong acids, gasoline, kerosene, or abrasive waxes and scrubbers, as these can damage the wheelchair.
- Ensure all parts are completely dry before you use the wheelchair again.

6.3 Inspection, Service, and Maintenance

Before each use, take a moment to check your wheelchair to ensure it is safe and ready to use. Look over all components to make sure nothing is loose. Add a small amount of lubricating oil to moving parts once a week. Always wipe down any moisture or stains with a soft, dry cloth after use to prevent rust.

Keep the seat and backrest cushions clean to help prevent skin irritation or infection. Store your wheelchair in a dry, well-ventilated area away from corrosive substances for the best protection.

Make sure the frame folds smoothly, the brakes work properly, and the wheels turn easily without wobbling.

To help prolong the life of your wheelchair, make a habit of regular inspections:

Weekly:

- Make sure the wheelchair is kept clean. Check the tires for cracks and ensure the brakes are secure.

Monthly:

- Look for wear on the front and rear wheels. If you notice any damage, contact your dealer for replacement parts. Check the rotation of the wheels and inspect their bearings.

Annually:

- Perform all the above checks to keep your wheelchair in top shape.

If you are planning to use the wheelchair again after it has been inactive for a while, clean and disinfect it first, and perform a thorough maintenance check before use.

6.4 End of Use & Recycling

When it's time to retire your wheelchair, it should be disposed of separately from regular household waste according to your local laws and regulations. Please take your wheelchair to a designated recycling facility to ensure it is handled in an environmentally friendly manner.

6.5 End Of Use



The symbol means that your product should be disposed of separately from household waste according to the local law and regulations. At the end of the wheelchair life, take it to the designated recycling place. Sorting and recycling will help conserve natural resources, and ensure it is recycled in an environmentally friendly way.

Recycling of each part should be handled by a designated authorized recycling organization in accordance with local laws and regulations. As for plastic parts, frame and pipe parts, they can be handed over to professional recycling units for disposal after the end of use.

7.1 Repair and Replacement

Your wheelchair comes with a one-year warranty from the date of purchase, when bought from an authorized dealer or directly from the manufacturer. For coverage, please ensure the wheelchair is used according to this manual and serviced at authorized maintenance centers.

During the warranty period, we will repair or replace defective parts if the issue is due to faulty materials or manufacturing.

Warranty coverage:

- The main frame is covered for repair within three years from the date of manufacture.
- Consumable items such as tires, grips, seats, and back cushions are not covered by warranty.
- Any loss due to normal wear and tear is the owner's responsibility.

Please note:

The warranty does not cover damage or issues resulting from:

- Use not in accordance with the instruction manual or caused by improper handling.
- Repairs made by unauthorized service providers or using non-genuine parts.
- Expired warranty period.
- Natural disasters or events outside of normal control, such as floods, fires, or earthquakes.

For warranty service, please register your wheelchair with your dealer within one month of purchase. Your warranty card must be stamped by the dealer or manufacturer to be valid.

7.2 Maintenance Records

From the date of manufacture

Repair the main frame within 3 years.

Consumable items (such as tires, grips, seats, back cushions, etc.) are not covered under warranty.

Under normal circumstances, consumers are responsible for the losses.

Quality problems caused by the following conditions do not have the effect of guarantee.

1. Operation not in accordance with the instructions manual and other human factors.
2. Not repaired at a company-designated place or using parts of other manufactures.
3. Expired
4. Caused by force majeure such as typhoons, floods, fires, earthquakes, wars, etc.

Maintenance Records			
Date	Issue	Caused	Remark

Name:	
Address:	Telephone:
Product Name:	Barcode:
Purchasing Date:	
Warranty Period: (Except for wearing parts), Others show in the instruction manual.	

NOTE: Please go to the dealer for warranty registration within one month, this card will be valid with the seal of the dealer or the manufacturer, and the warranty will be carried out with this card.

8.1 Transportation and Storage

- A.** Temperature: Store and transport the wheelchair in environments between -13°F and 104°F.
- B.** Humidity: Keep the wheelchair in places where the relative humidity does not exceed 80%.
- C.** Air Pressure: Suitable for storage and transport in areas with atmospheric pressure between 80kPa and 105kPa.
- D.** Transport: The wheelchair can be safely transported using regular transportation methods.

For best results, always store the wheelchair in a dry, well-ventilated area.

If you have any questions, call us at our toll free number:

1-800-958-8324

or contact us at www.shopjourney.com.



journey solite[®] c2

If you have any questions, call us at our toll free number:

1-800-958-8324